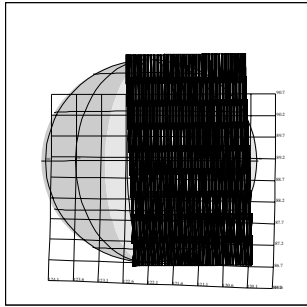
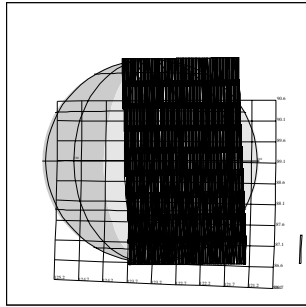


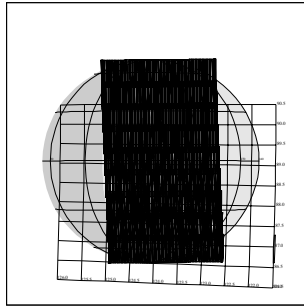
NIMS - E4



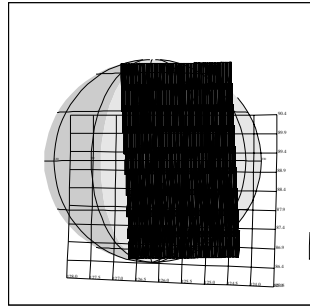
E4JNGLOMOS01
JEE-CDS 2850:00:0
96-352/03:21:48



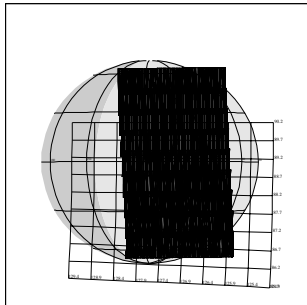
E4JNGLOMOS02
JEE-CDS 2753:00:0
96-352/04:59:53



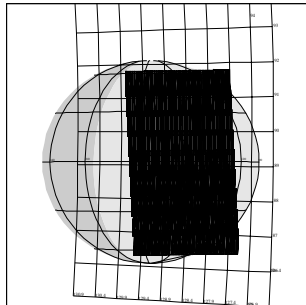
E4JNGLOMOS03
JEE-CDS 2690:00:0
96-352/06:03:35



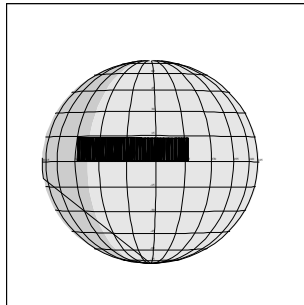
E4JNGLOMOS04
JEE-CDS 2535:00:0
96-352/08:40:18



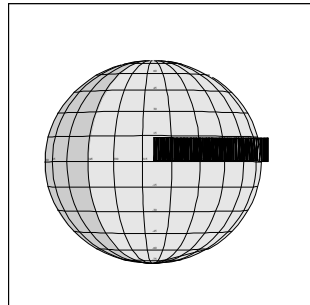
E4JNGLOMOS05
JEE-CDS 2436:00:0
96-352/10:20:24



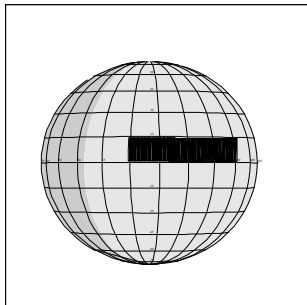
E4JNGLOMOS06
JEE-CDS 2338:00:0
96-352/11:59:29



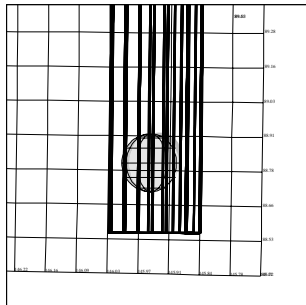
E4JNFEA05501
JFC-CDS 667:00:0
96-352/15:37:54



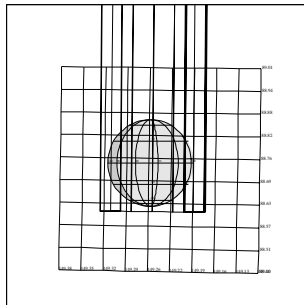
E4JNFEA05502
JFC-CDS 654:50:0
96-352/15:50:29



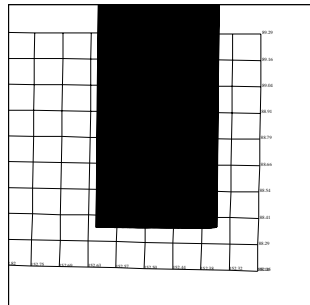
E4JNFEA05503
JFC-CDS 587:00:0
96-352/16:58:47



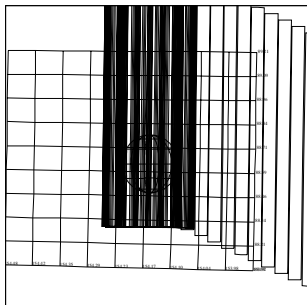
E4INCOOLCV01
IEE-CDS 1574:00:0
96-352/19:05:10



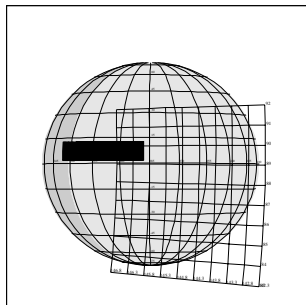
E4INRTIMON01
IEE-CDS 1505:00:0
96-352/20:14:56



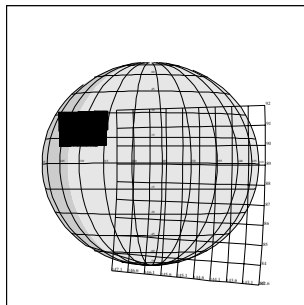
E4INWARMCV01
IEE-CDS 1438:00:0
96-352/21:22:41



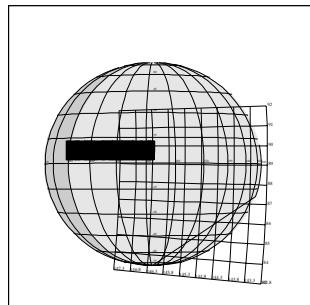
E4INWARMCV02
IEE-CDS 1400:00:0
96-352/22:01:06



E4JNFEA04101
JFC-CDS 87:00:0
96-353/01:24:20

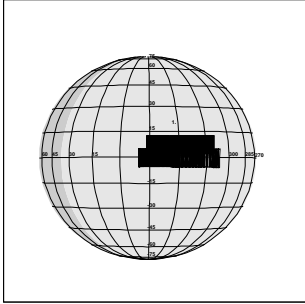


E4JNPFTA4101
JFC-CDS 74:00:0
96-353/01:37:29

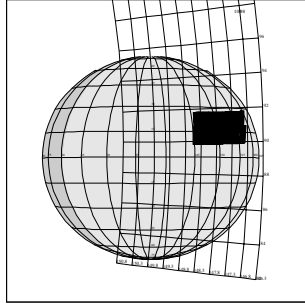


E4JNFEA04102
JFC-CDS 63:00:0
96-353/01:48:36

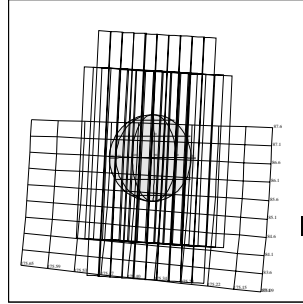
NIMS - E4



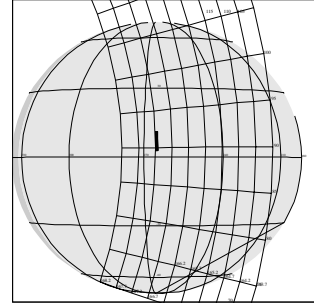
E4JNFEA04103
JFC+CDS 20:00:0
96-353/03:12:32



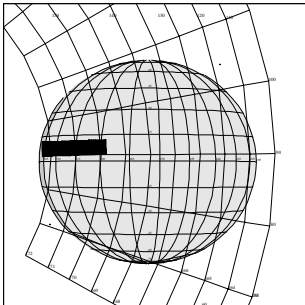
E4JNPFTA4102
JFC+CDS 58:50:0
96-353/03:51:30



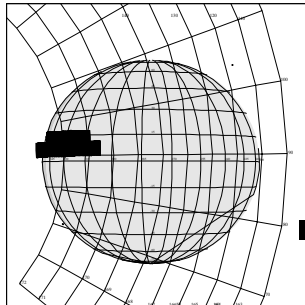
E4INCHEMIS01
IEE-CDS 954:00:0
96-353/05:32:04



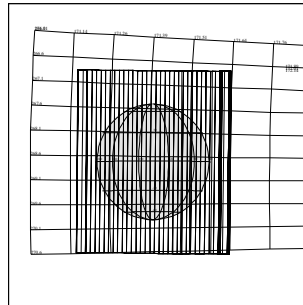
E4JNRTHOTS01
JLP+CDS 508:00:0
96-353/11:25:57



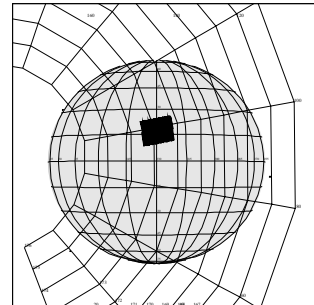
E4JNFEA01601
JLP+CDS 527:00:0
96-353/11:45:10



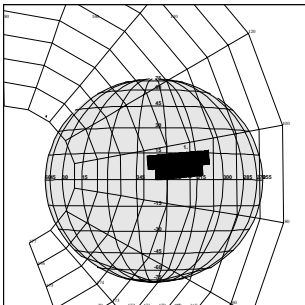
E4JNFEA01602
JLP+CDS 536:65:0
96-353/11:54:59



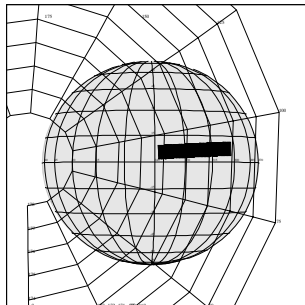
E4INVOLCAN05
JLP+CDS 560:00:0
96-353/12:18:32



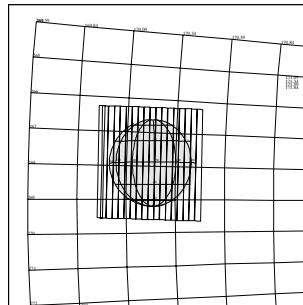
E4JNPFTA1602
JLP+CDS 623:00:0
96-353/13:22:14



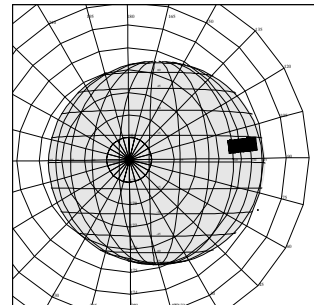
E4JNFEA01604
JLP+CDS 635:00:0
96-353/13:34:22



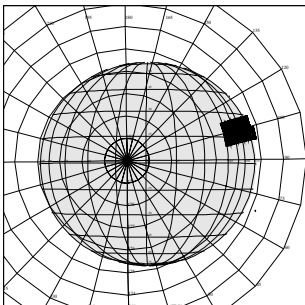
E4JNFEASUB01
JLP+CDS 652:00:0
96-353/13:51:33



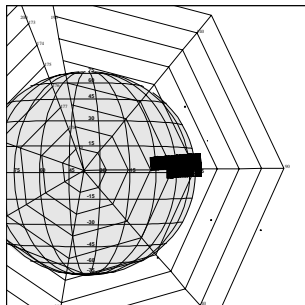
E4INCHEMIS02
JLP+CDS 682:00:0
96-353/14:21:53



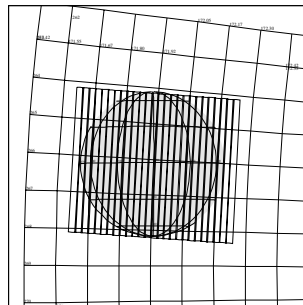
E4JNPFTB1603
JLP+CDS 723:00:0
96-353/15:03:20



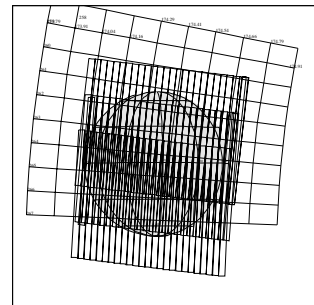
E4JNPFTA1603
JLP+CDS 731:10:0
96-353/15:11:32



E4JNFEA01605
JLP+CDS 744:00:0
96-353/15:24:34

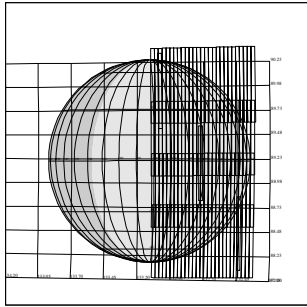


E4INCHEMIS03
IEE-CDS 242:00:0
96-353/17:31:58

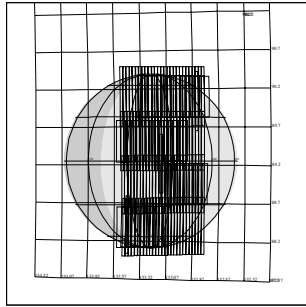


E4INHRSPEC01
IEE-CDS 22:00:0
96-353/21:14:25

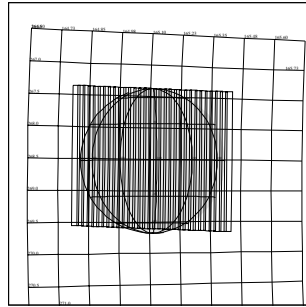
NIMS - E4



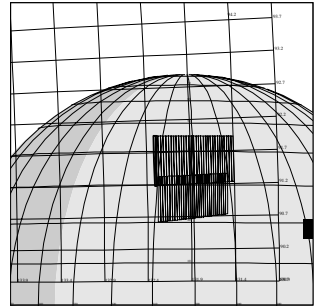
E4ENXDARLI01
EEE-CDS 366:00:0
96-354/00:44:44



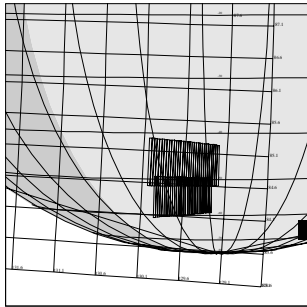
E4ENASTERI01
EEE-CDS 334:00:0
96-354/01:17:05



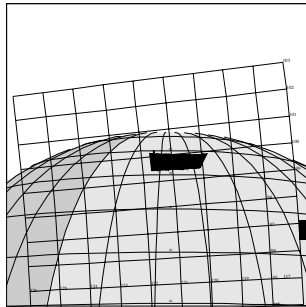
E4INCHEMIS04
IEE+CDS 241:00:0
96-354/01:40:20



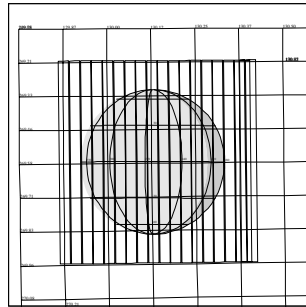
E4ENSUCOMP02
ETE-CDS 105:00:0
96-354/05:06:36



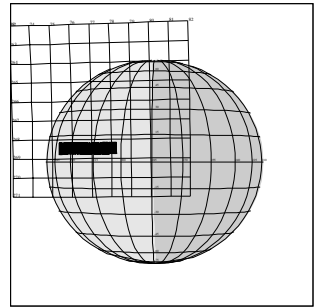
E4ENSUCOMP01
ETE-CDS 60:00:0
96-354/05:52:06



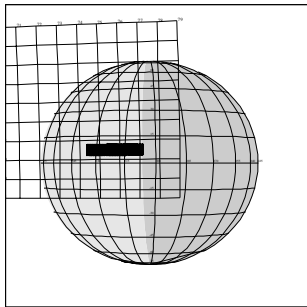
E4ENSUCOMP03
ETE-CDS 28:00:0
96-354/06:24:28



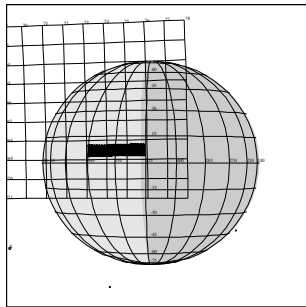
E4INCHEMIS05
IEE+CDS 631:00:0
96-354/08:14:40



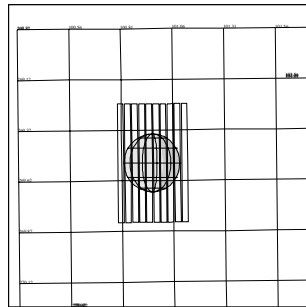
E4JNFEA09501
EEE+CDS 237:00:0
96-354/10:54:26



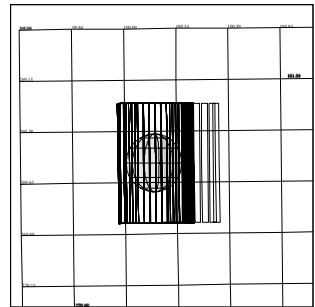
E4JNFEA09502
EEE+CDS 270:00:0
96-354/11:27:48



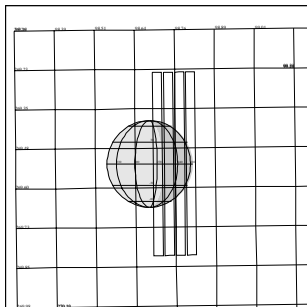
E4JNFEA09503
EEE+CDS 288:00:0
96-354/11:46:00



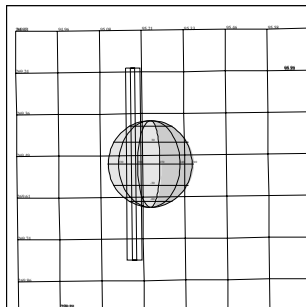
E4INCHEMIS06
IEE+CDS 938:00:0
96-354/13:25:05



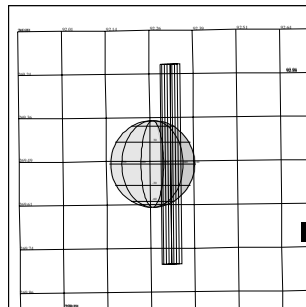
E4INCOOLCV02
IEE+CDS 949:00:0
96-354/13:36:12



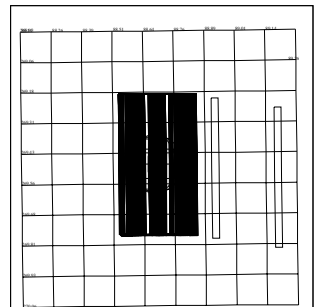
E4INTHRMAL01
IEE+CDS 964:50:0
96-354/13:51:56



E4INVOLCAN01
IEE+CDS 1004:00:0
96-354/14:31:49

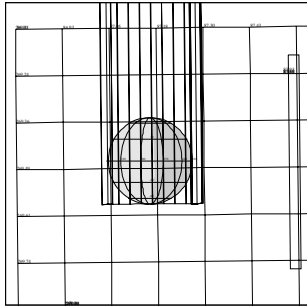


E4INVOLCAN02
IEE+CDS 1039:00:0
96-354/15:07:12

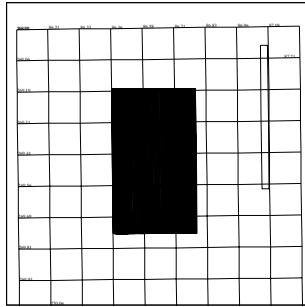


E4INWARMCV03
IEE+CDS 1085:00:0
96-354/15:53:43

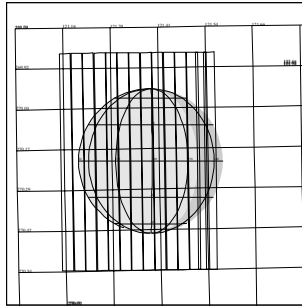
NIMS - E4



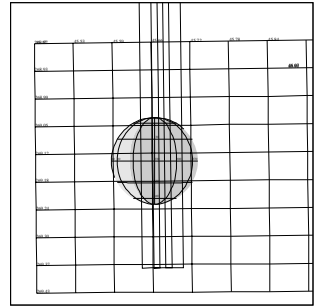
E4INRTIMON02
IEE+CDS 1101:00:0
96-354/16:09:54



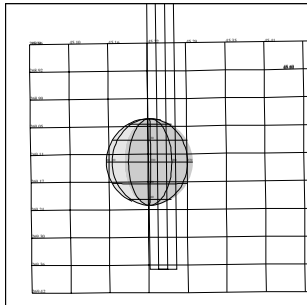
E4INWARMCV04
IEE+CDS 1110:00:0
96-354/16:19:00



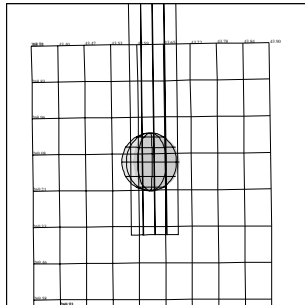
E4NGLOBAL01
GEE-CDS 7:00:0
96-354/20:06:30



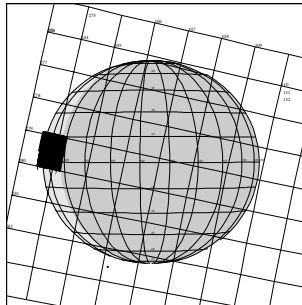
E4INVOLCAN03
IEE+CDS 1686:00:0
96-355/02:01:24



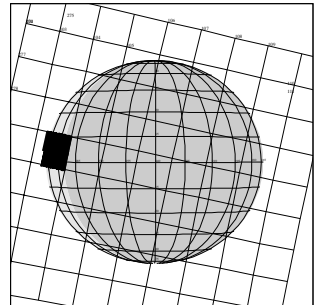
E4INVOLCAN04
IEE+CDS 1693:00:0
96-355/02:08:28



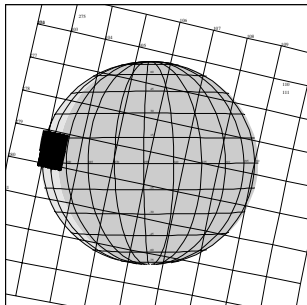
E4INTHRMAL02
IEE+CDS 1719:00:0
96-355/02:34:46



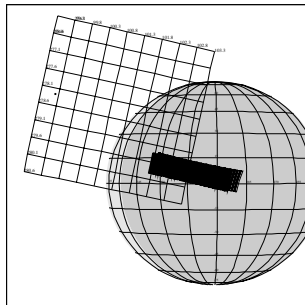
E4JNFEA14801
JHP+CDS 3113:00:0
96-355/06:49:34



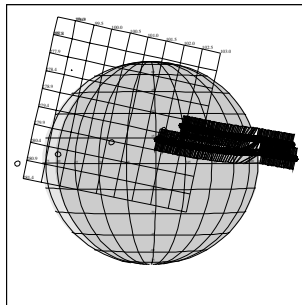
E4JNFEA14802
JHP+CDS 3125:00:0
96-355/07:01:42



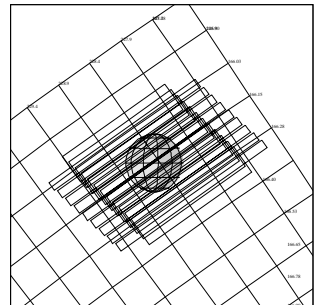
E4JNFEA14803
JHP+CDS 3145:00:0
96-355/07:21:55



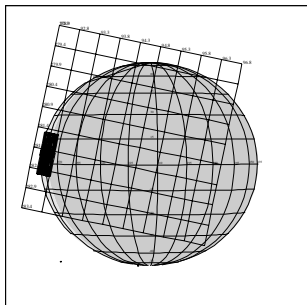
E4JNFEA53M01
JHP+CDS 3227:00:0
96-355/08:44:50



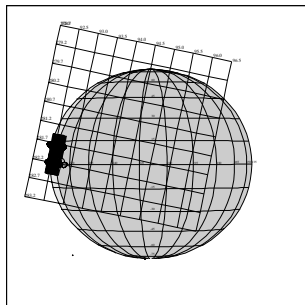
E4JNFEA5UM01
JHP+CDS 3333:00:0
96-355/10:32:00



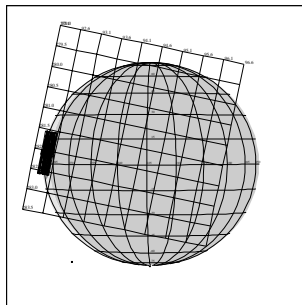
E4CNGLOBAL01
JSP-CDS 63:00:0
96-355/15:46:27



E4JNFEA16001
JSP-CDS 19:00:0
96-355/16:30:57



E4JNFEA16002
JSP-CDS 9:00:0
96-355/16:41:03



E4JNFEA16003
JSP-CDS 2:00:0
96-355/16:48:08