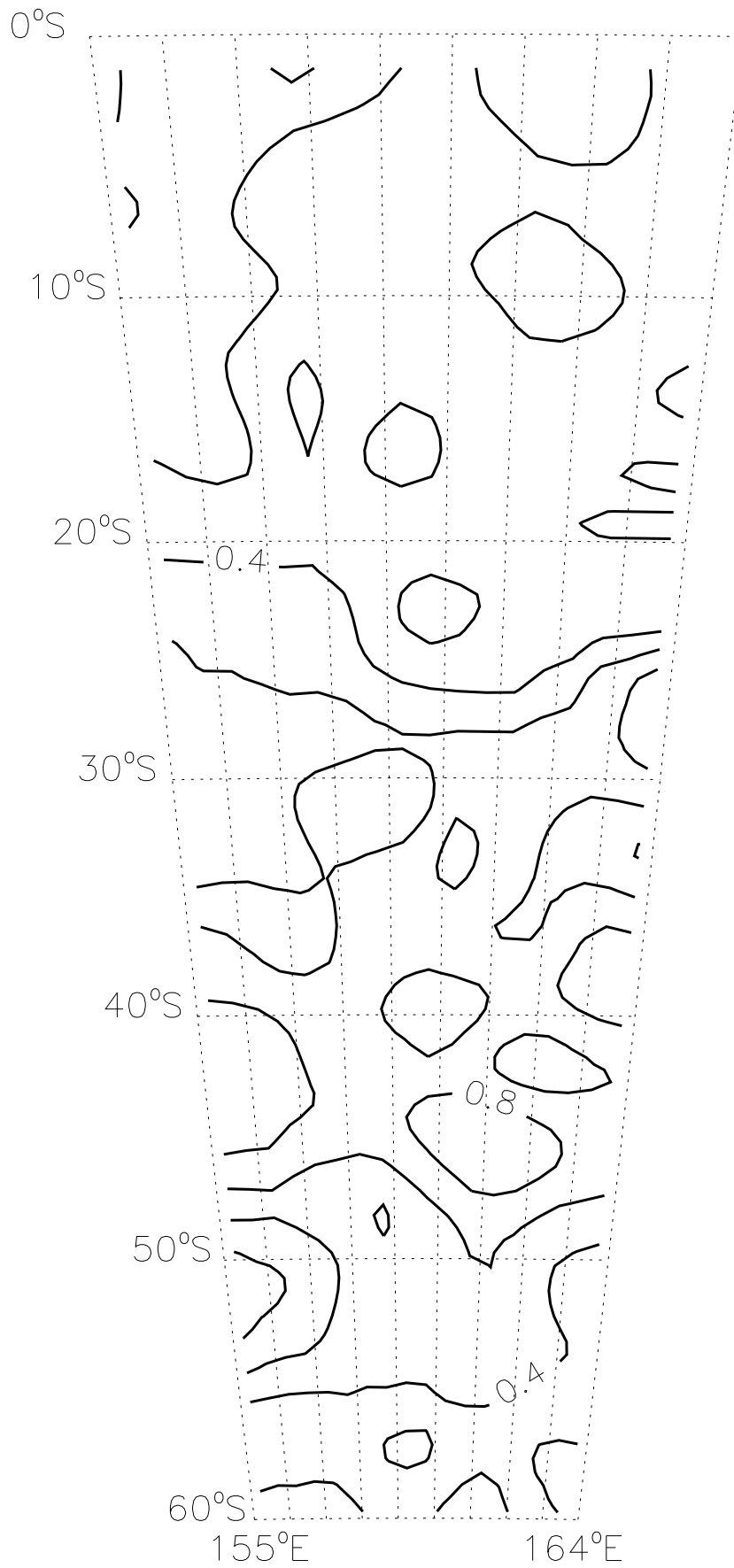


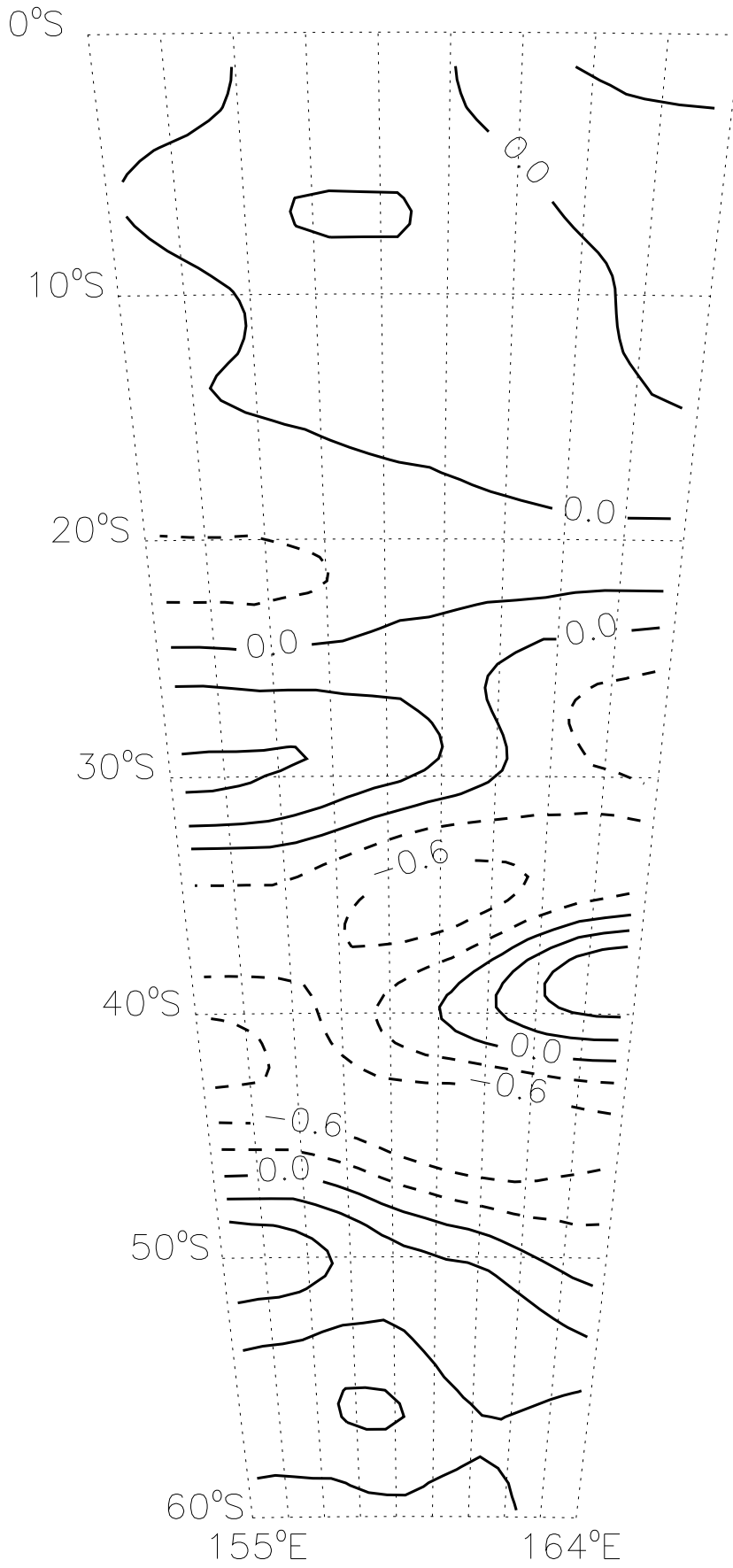
B-Total, nT

map98\_05B



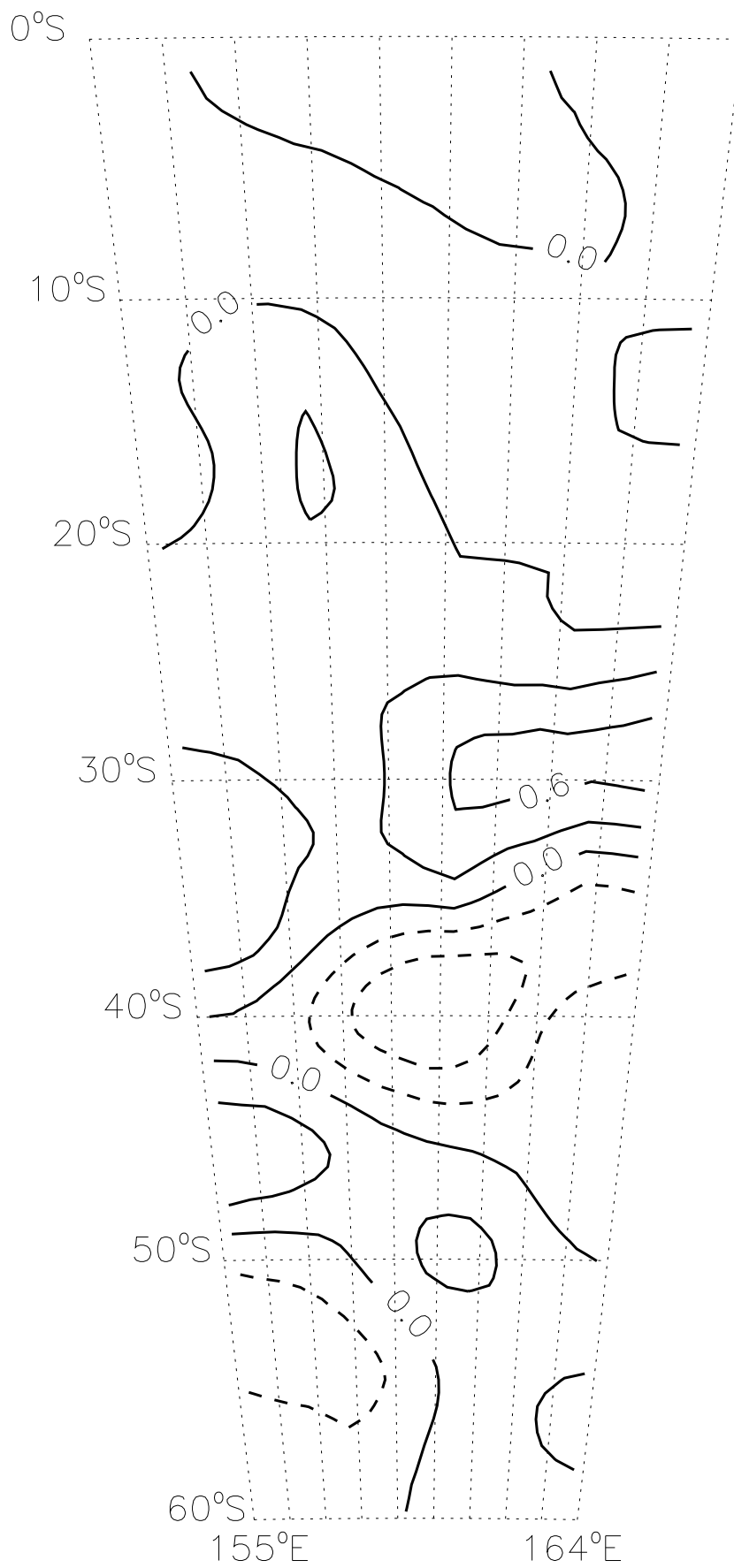
B-Radial, nT

map98\_05B



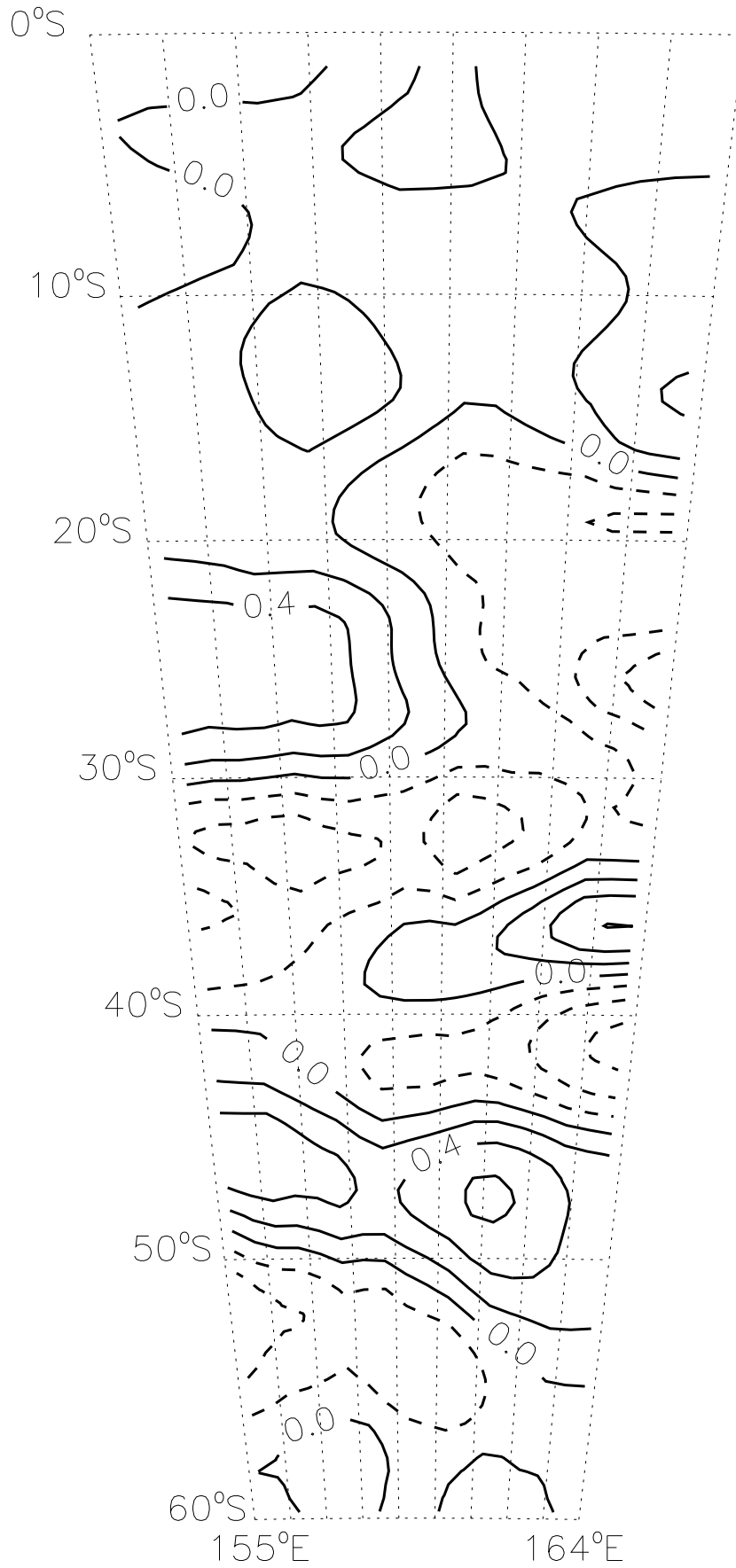
B-East, nT

map98\_05B



B-North, nT

map98\_05B



Altitude, km

map98\_05B

