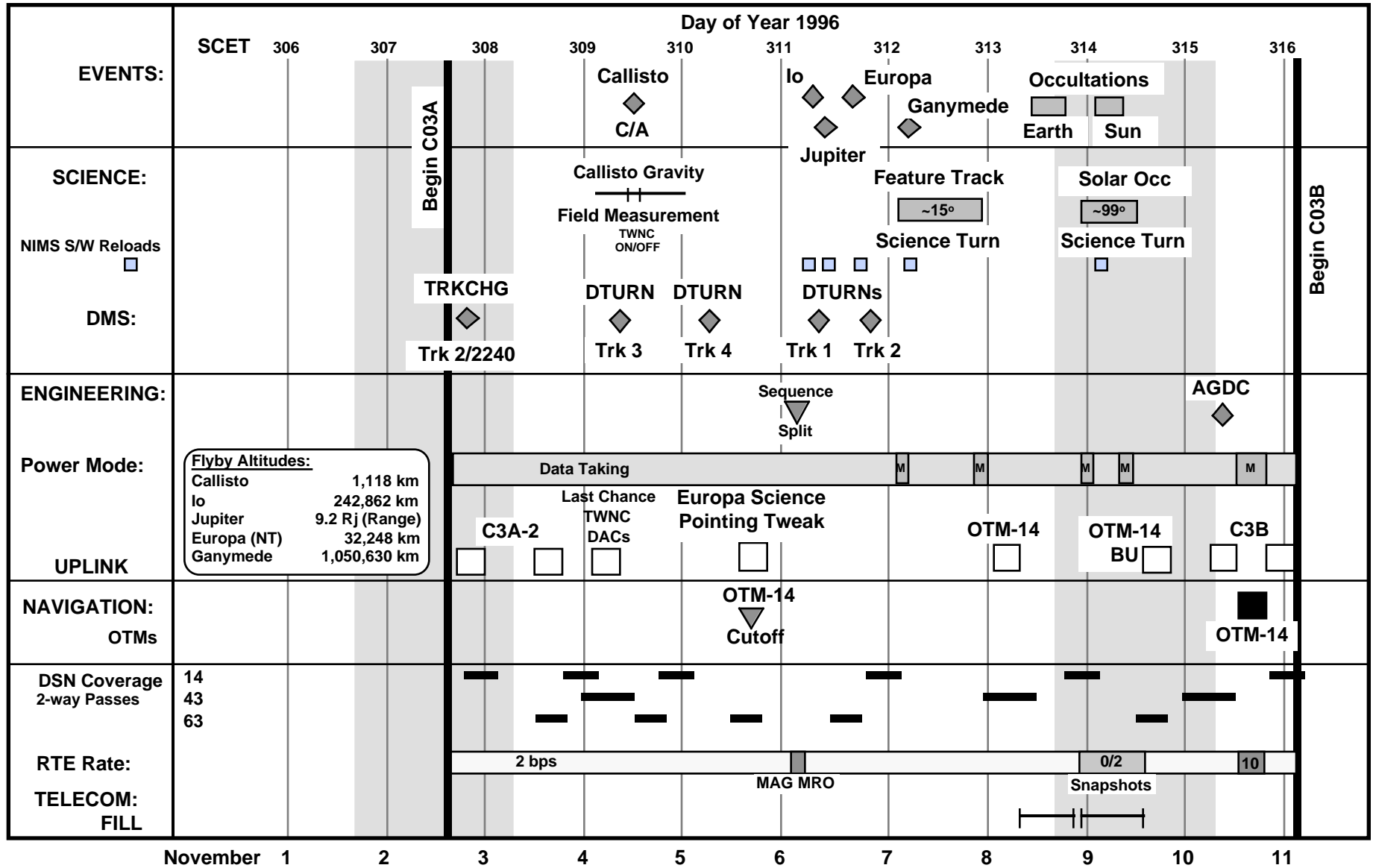


C03A Sequence Overview (Version C03AH1 and C03AI2)



November 1 2 3 4 5 6 7 8 9 10 11