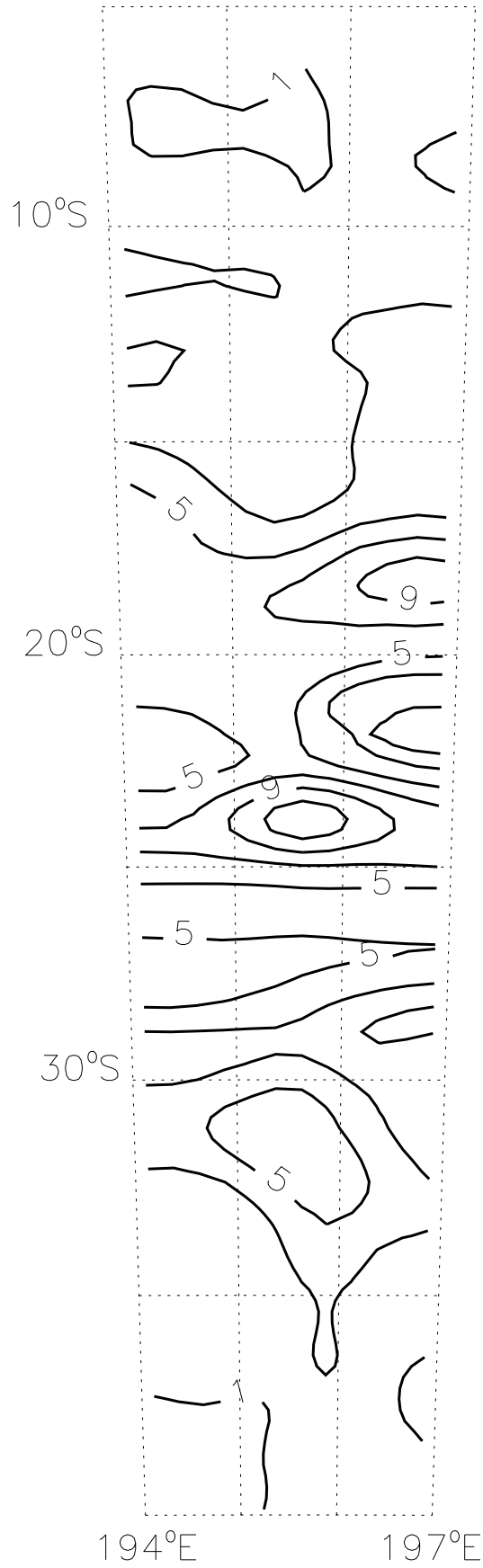
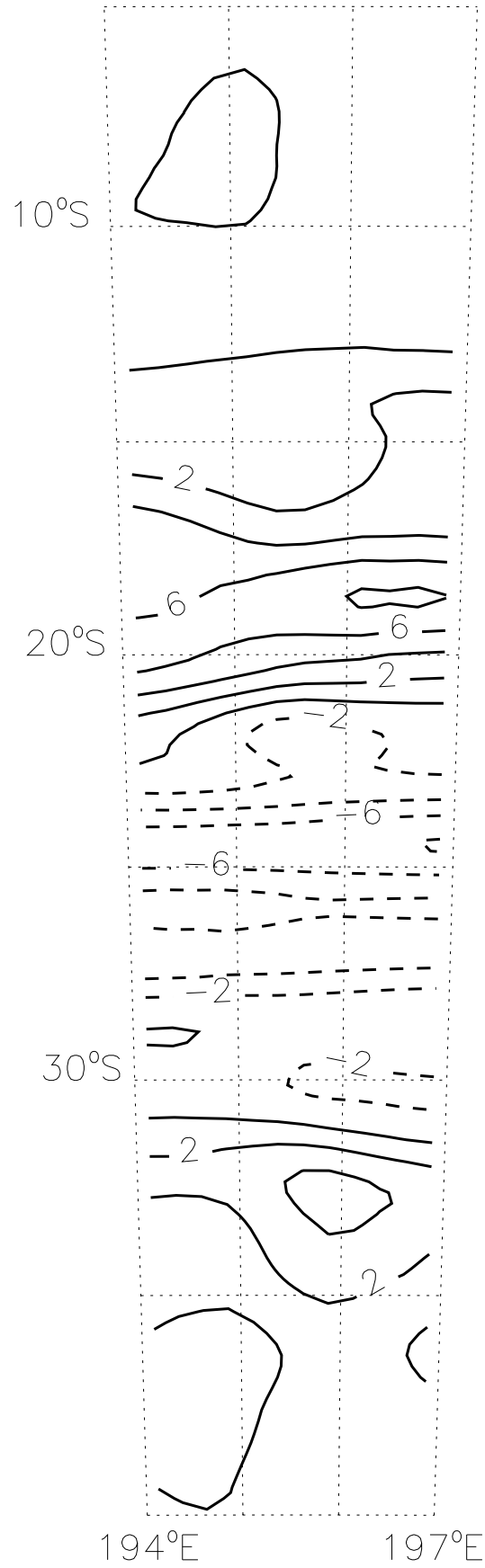


B-Total, nT

map99_116A

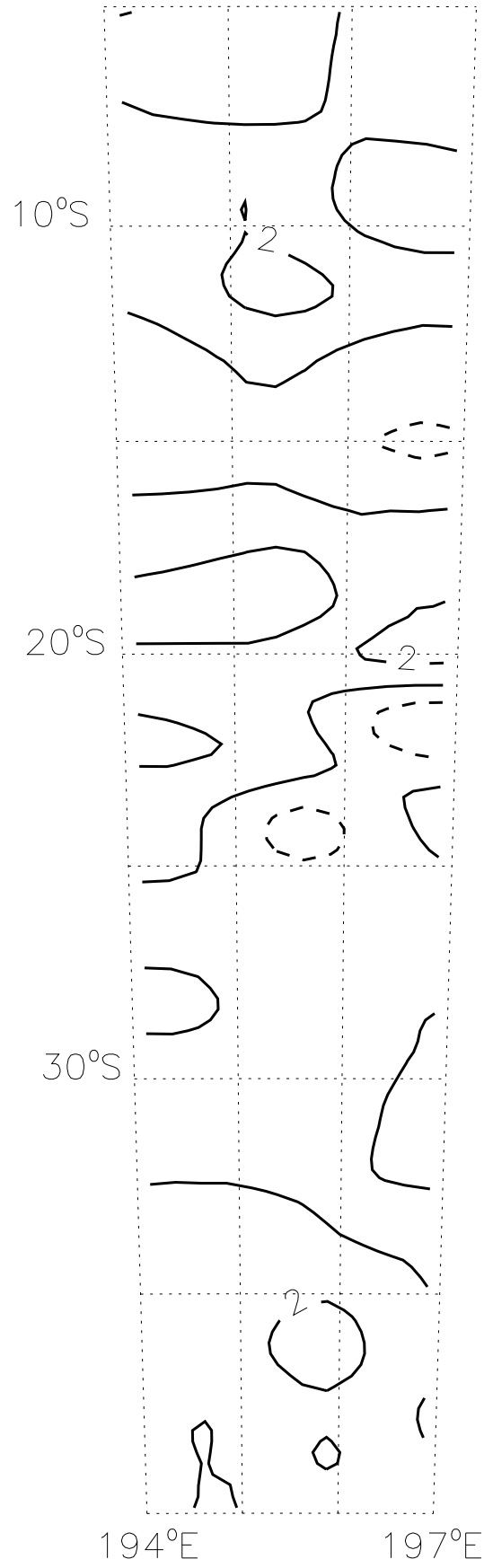


B-Radial, nT map99_116A



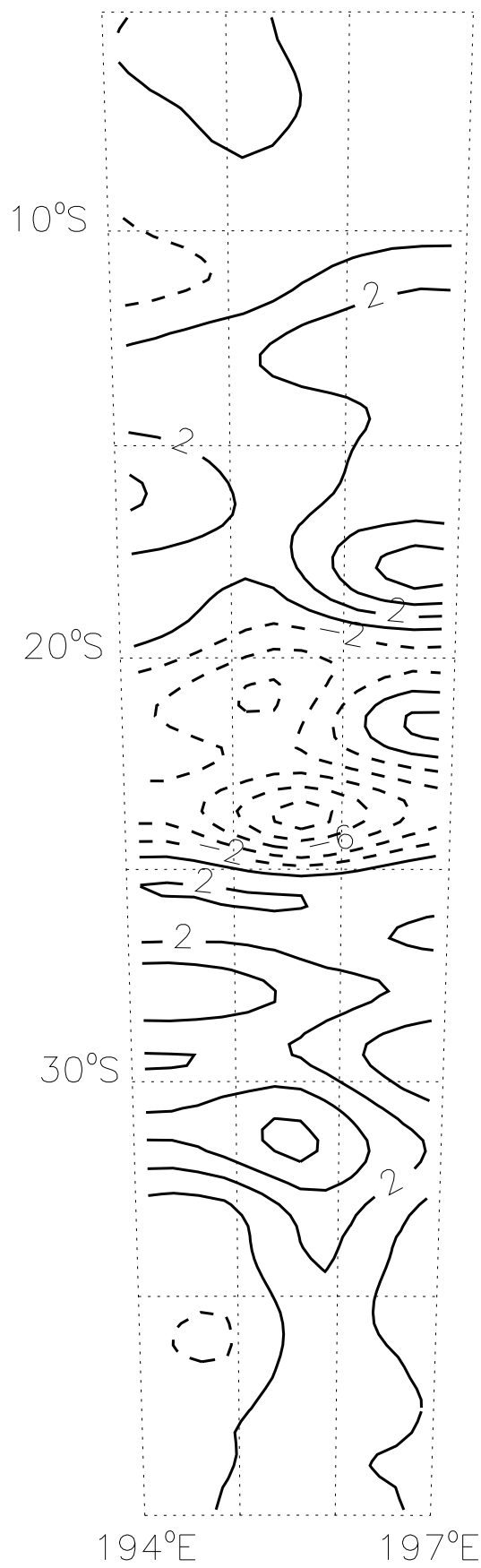
B-East, nT

map99_116A



B-North, nT

map99_116A



Altitude, km

map99_116A

