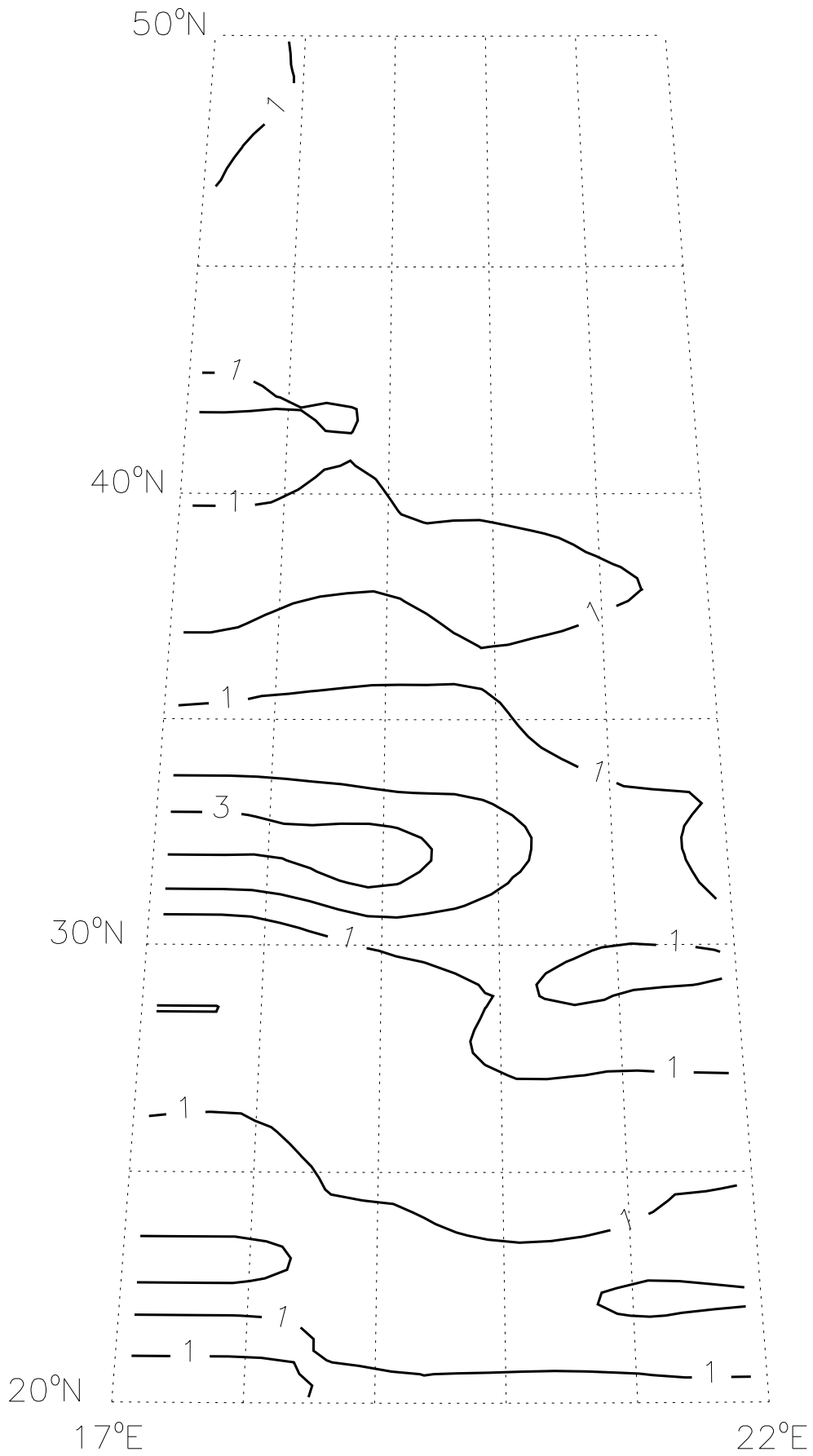
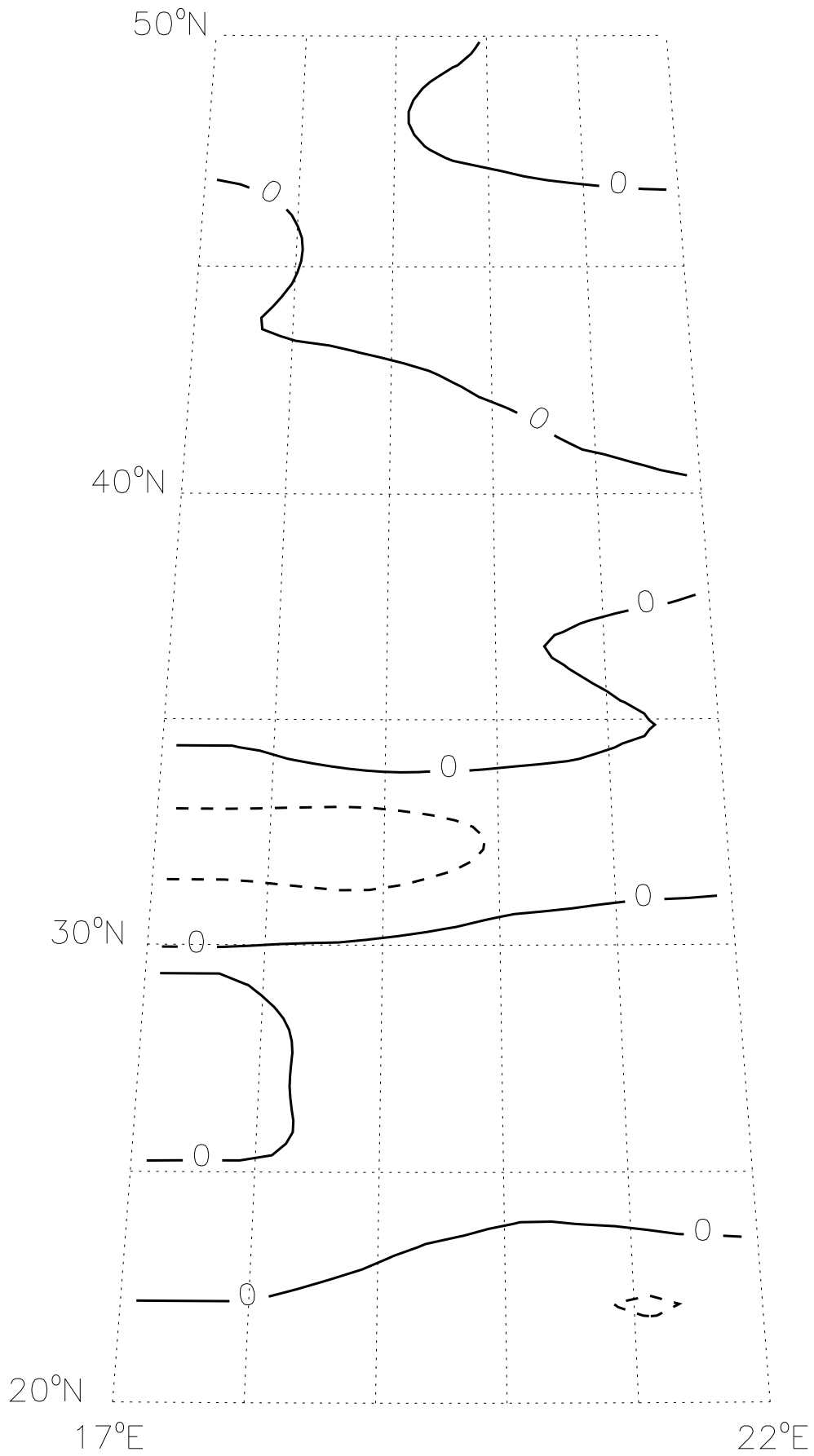


B-Total, nT

map99\_103A

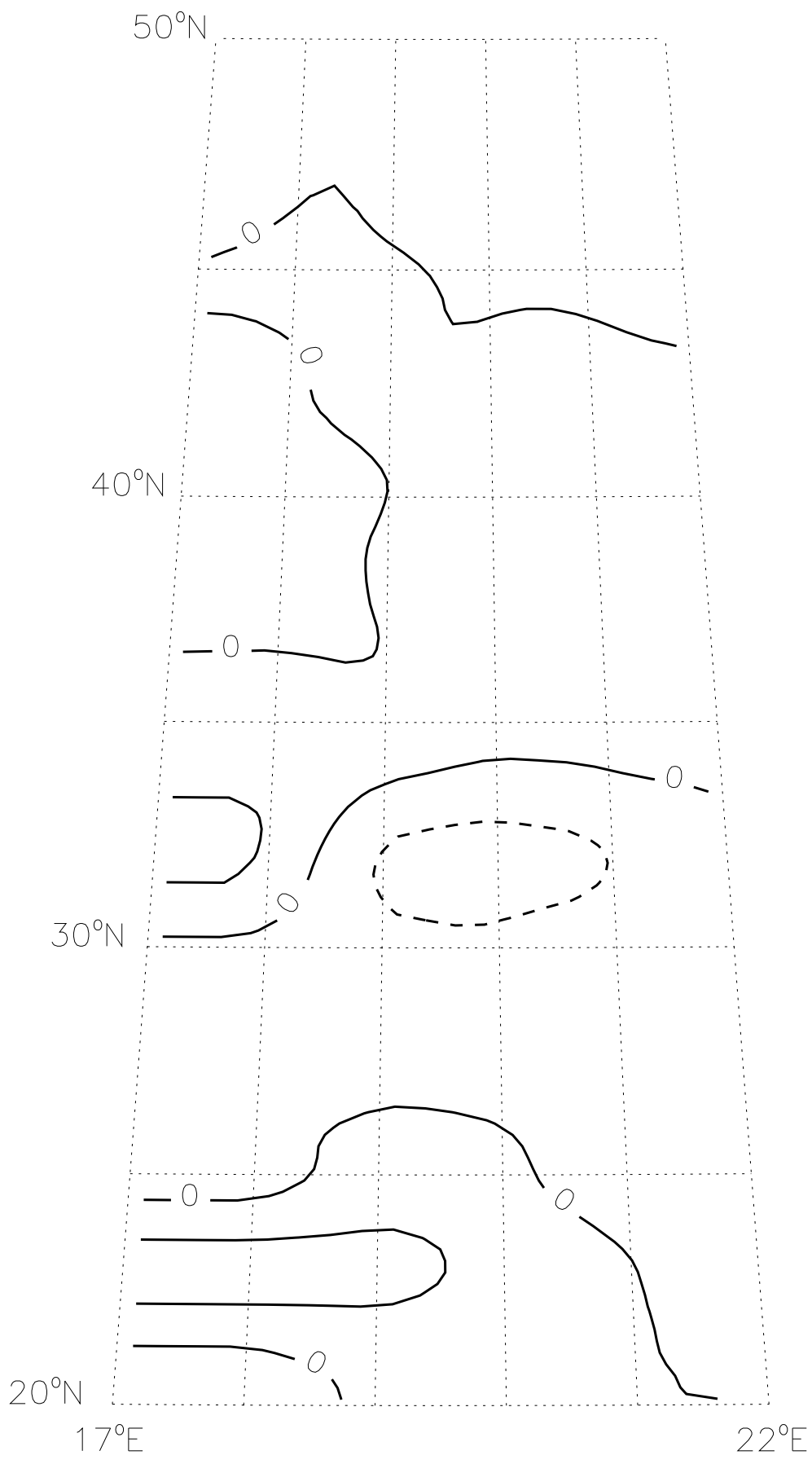


B-Radial, nT      map99\_103A



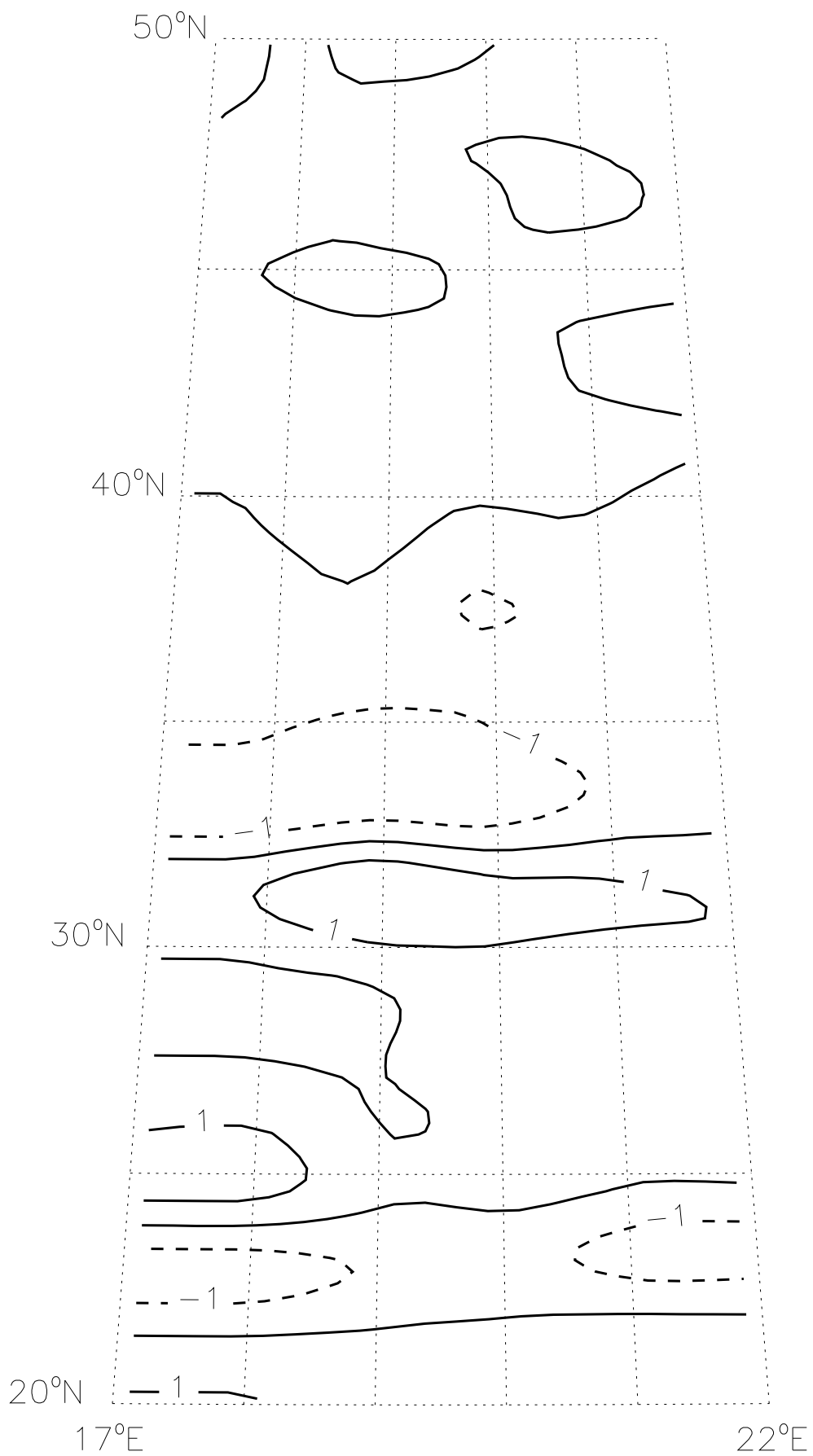
B-East, nT

map99\_103A



B-North, nT

map99\_103A



Altitude, km

map99\_103A

