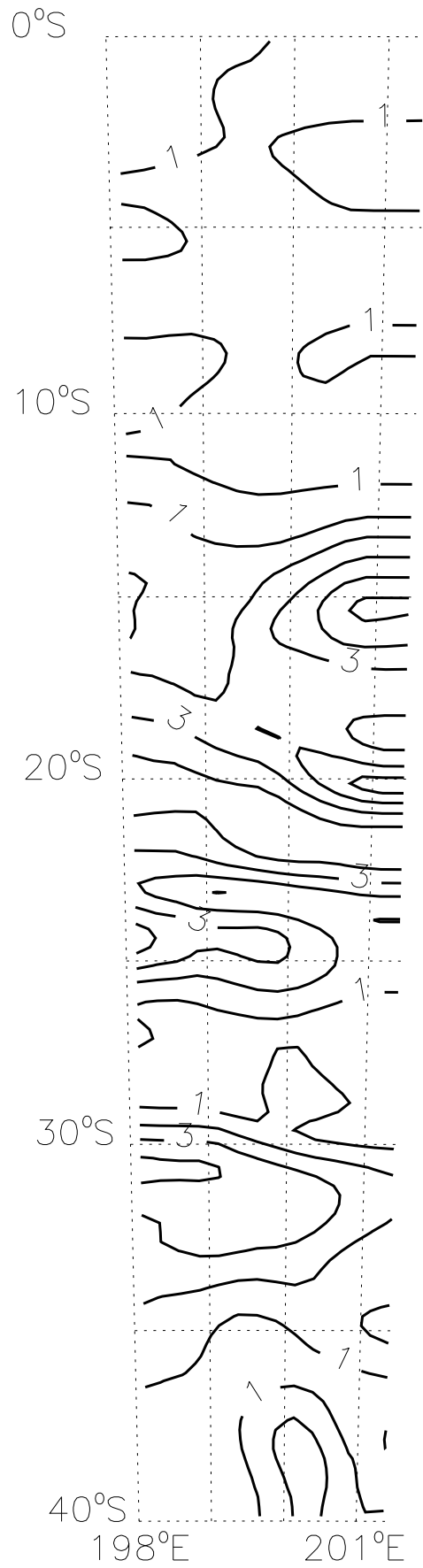
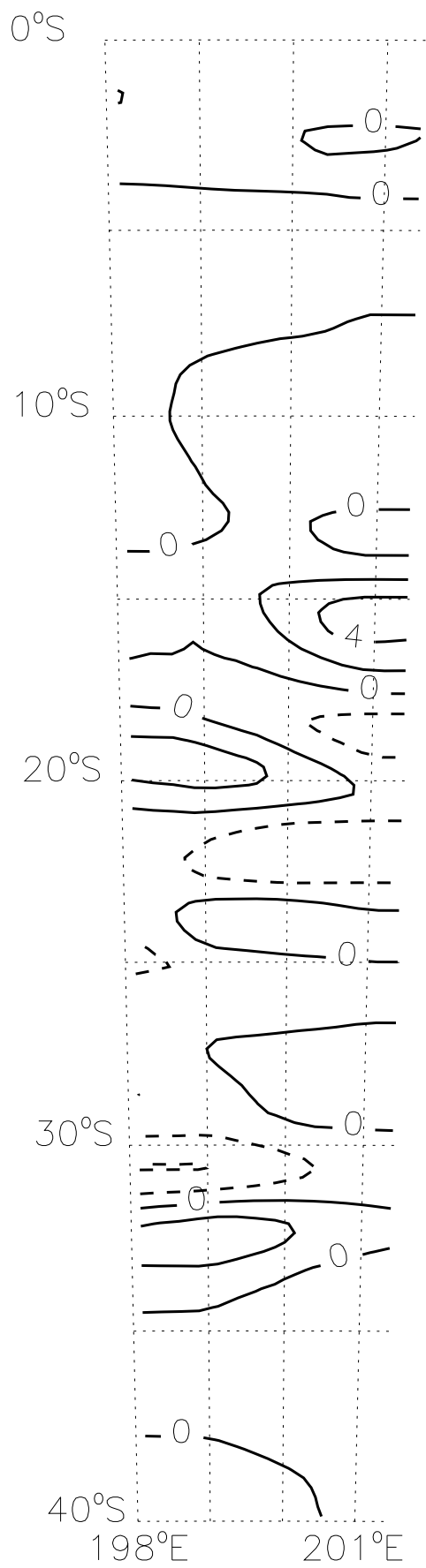


B-Total, nT

map99\_089

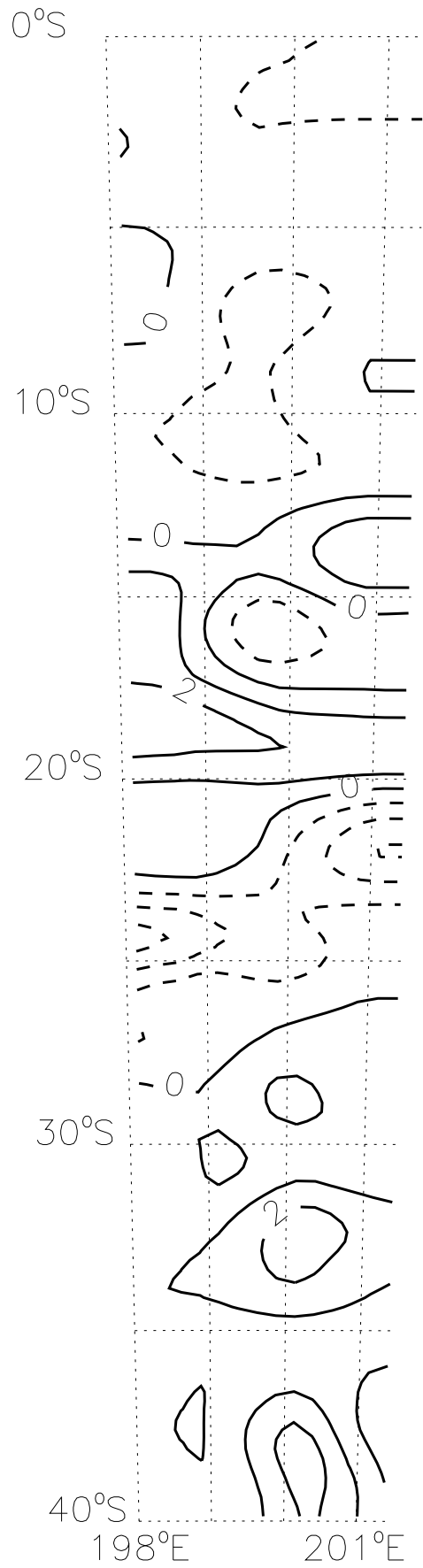


B-Radial, nT      map99\_089



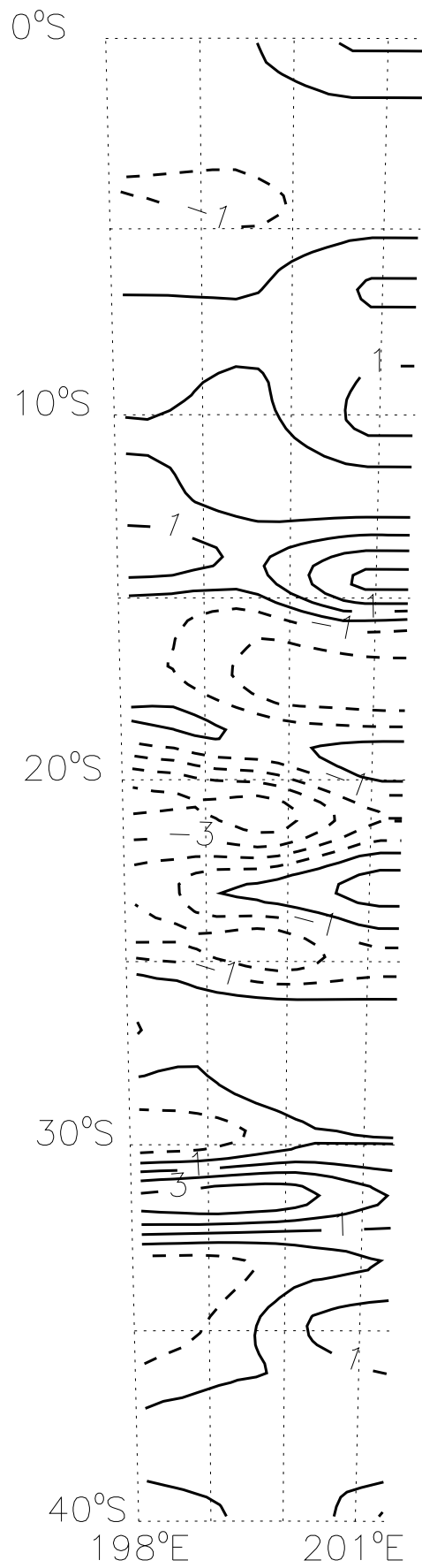
B-East, nT

map99\_089



B-North, nT

map99\_089



Altitude, km

map99\_089

