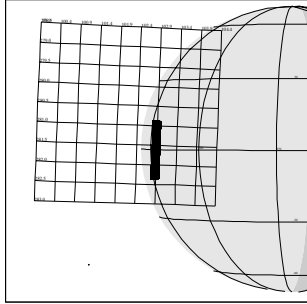
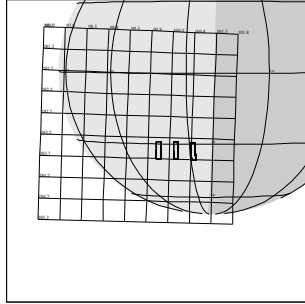


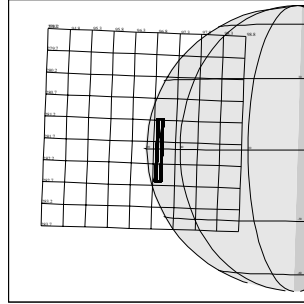
# UVS - E16



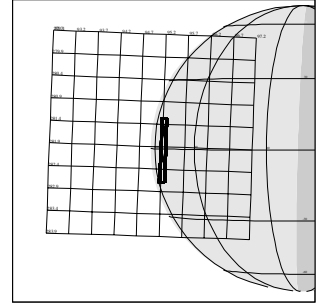
**16JUBRIGHT01**  
JEE+CDS 1190:00:0  
98-202/20:21:21



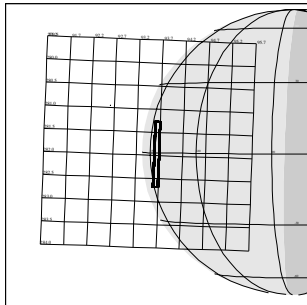
**16JUFEATUR01**  
JEE+CDS 1278:00:0  
98-202/21:50:20



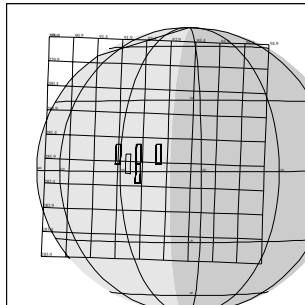
**16JUBRIGHT03**  
JEE+CDS 1380:00:0  
98-202/23:33:28



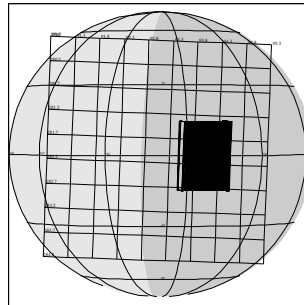
**16JUBRIGHT04**  
JEE+CDS 1440:00:0  
98-203/00:34:08



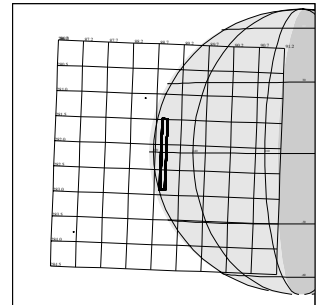
**16JUBRIGHT05**  
JEE+CDS 1500:00:0  
98-203/01:34:48



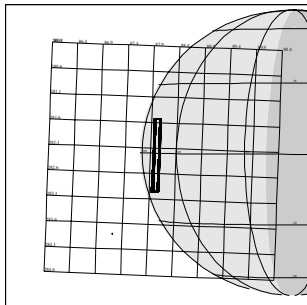
**16JUFEATUR02**  
JFT+CDS 201:00:0  
98-203/02:08:10



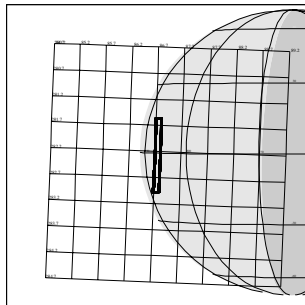
**16JUDARKSIDE**  
JFT+CDS 291:00:0  
98-203/03:39:10



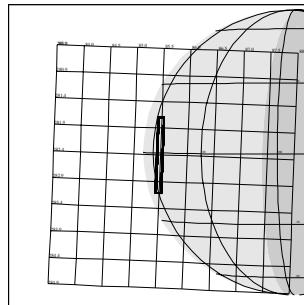
**16JUBRIGHT08**  
JEE+CDS 1696:00:0  
98-203/04:52:58



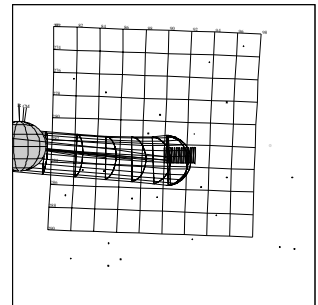
**16JUBRIGHT09**  
JEE+CDS 1740:00:0  
98-203/05:37:28



**16JUBRIGHT10**  
JEE+CDS 1800:00:0  
98-203/06:38:08



**16JUBRIGHT11**  
JEE+CDS 1860:00:0  
98-203/07:38:48



**16TU16MANS01**  
98-203/18:26:51