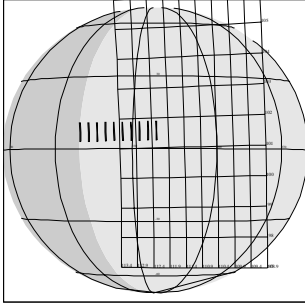
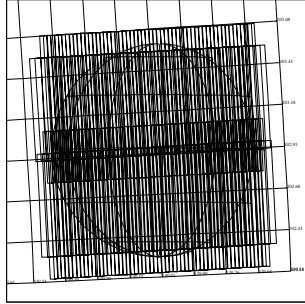


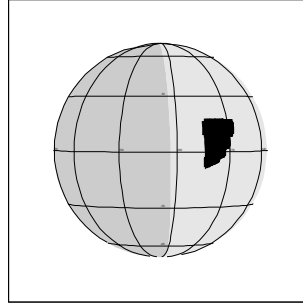
NIMS - E14



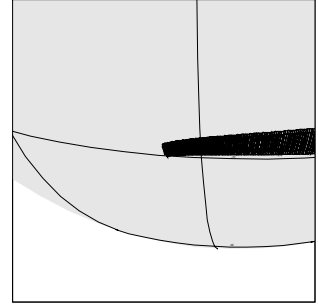
14JNJUPRTS01
JEE-CDS 802:00:0
98-087/18:28:25



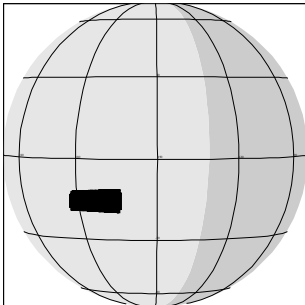
14INHRSPEC01
IEE-CDS 2:00:0
98-088/04:46:13



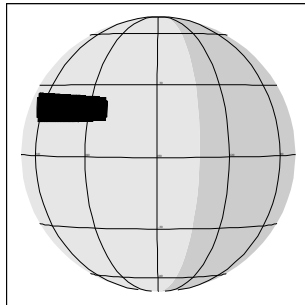
14ENICERAF01
EEE-CDS 73:00:0
98-088/12:07:03



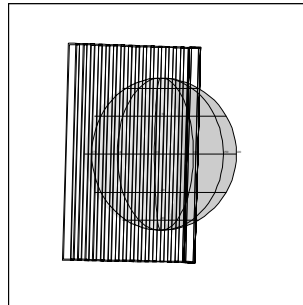
14ENSUCOMP01
EEE+CDS 9:00:0
98-088/13:29:58



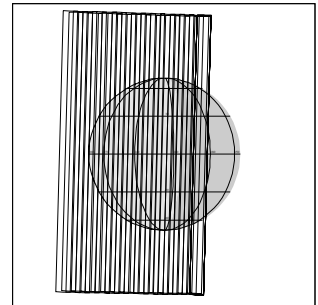
14ENSUCOMP02
EEE+CDS 44:00:0
98-088/14:05:21



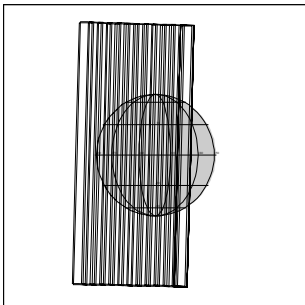
14ENSUCOMP03
EEE+CDS 63:00:0
98-088/14:24:34



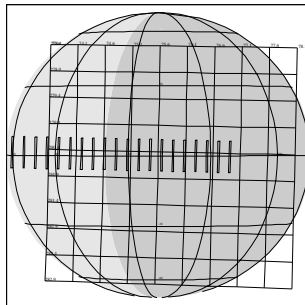
14ENEUR15H01
EEE+CDS 884:00:0
98-089/04:14:41



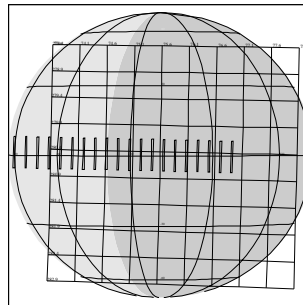
14ENEUR17H01
EEE+CDS 1063:00:0
98-089/07:15:41



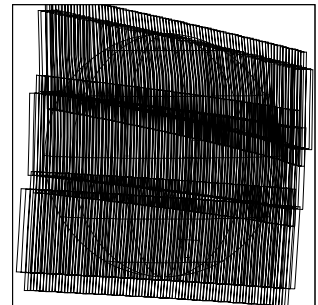
14ENEUR20H01
EEE+CDS 1181:00:0
98-089/09:14:59



14JNJUPRTS02
98-089/16:35:05



14JNJUPRTS02
98-089/17:54:42



14CNGLOBAL01
98-090/01:06:27